

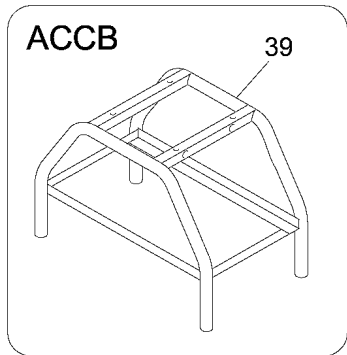
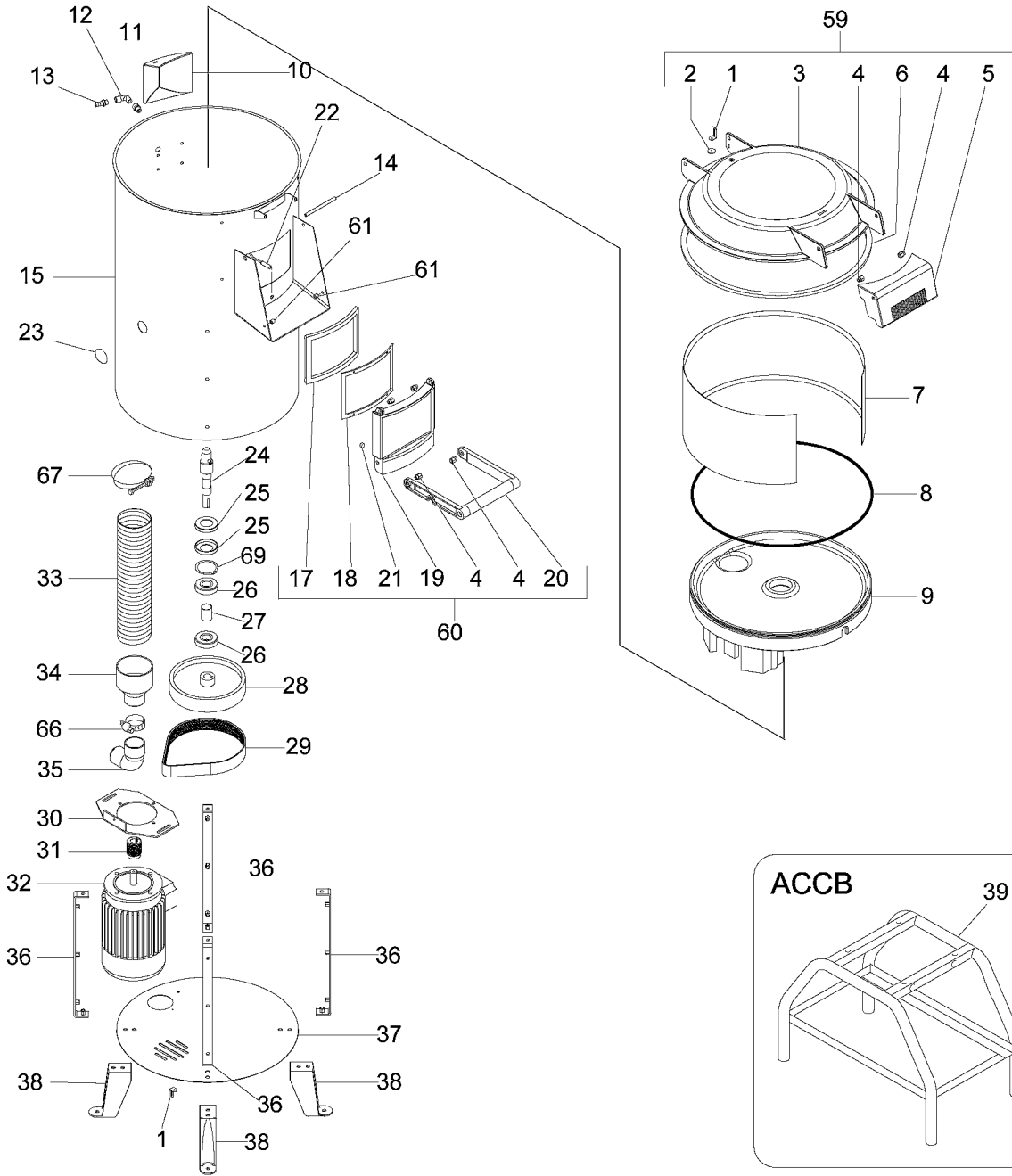
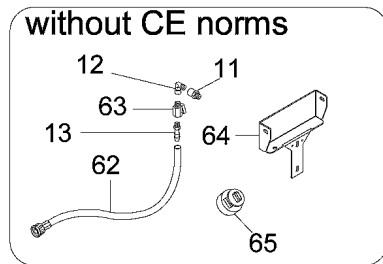
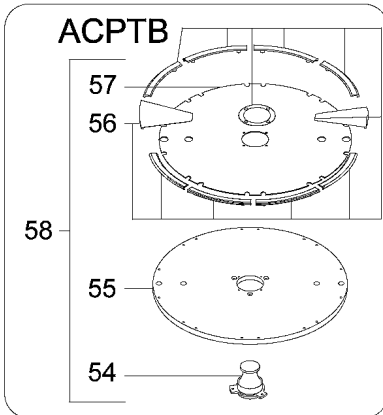
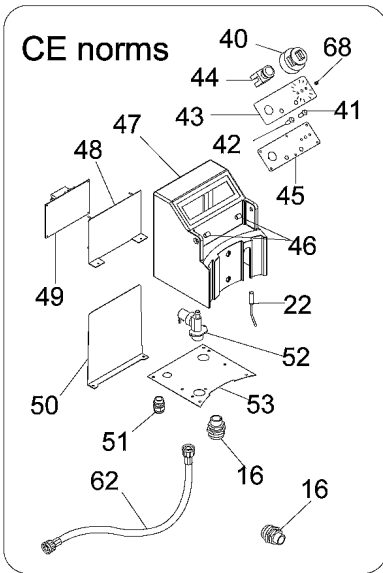


SPARE PARTS TAVOLA RICAMBI

PPN-PPF25

SPEC.	N.	CODE	DENOMINAZIONE - DENOMINATION	PRICE
	1	35V6381	Bracket - Staffa	€ 0.25
	* 2	3600310	Magnet - Magnete	€ 1.00
	3	SL3156	Cover - Coperchio	€ 49.00
	4	36D9550	Bush - Boccia	€ 2.00
	5	36M5090	Handle - Maniglia	€ 6.50
	* 6	SL3317	Gasket - Guarnizione	€ 6.00
Assembly	7	SA1130	Emery cloth - Tela abrasiva	€ 65.00
	8	SL3300	Gasket - Guarnizione	€ 18.00
	9	SL3199	Bottom - Fondo	€ 273.00
	10	36D9660	Leaper - Saltarello	€ 23.00
"1/4" M-F"	11	33Q6210	Nipple - Raccordo	€ 2.00
L 90° M-F	12	33Q6040	Nipple - Raccordo	€ 3.50
"1/4" M Ø12"	13	33Q5180	Cluch - Portagomma	€ 2.50
	14	36G2040	Pivot - Perno	€ 4.00
	15	SL3143	Housing - Carcassa	
PG21	16	32D1090	Sheathing clamp - Pressaguaina	
	* 17	37Q7860	Gasket - Guarnizione	€ 31.00
	18	36C0011	Frame - Telaio	€ 4.00
	19	SL3197	Door - Sportello	€ 42.00
Assembly	20	SA1093	Handle - Maniglia	€ 14.00
	* 21	3600160	Magnet - Magnete	€ 0.80
CE norms	* 22	32W3240	Microswitch - Microinterruttore	€ 10.00
	23	SL3231	Cap - Tappo	€ 3.90
	24	SL3198	Shaft - Albero	€ 27.00
Ø35xØ62x10	25	SL3006	Oil seal - Paraolio	€ 5.00
6305 2RS	26	SL3191	Bearing - Cuscinetto	€ 10.50
	27	SL3217	Spacer - Distanziale	€ 4.00
	28	SL3195	Pulley - Puleggia	€ 50.00
Poly V-723 J16	* 29	SL3159	Belt - Cinghia	€ 19.00
	30	SL3181	Flange - Flangia	€ 20.00
	31	SL3155	Pulley - Puleggia	€ 10.50
400V/3Ph/50Hz	32	SL0089	Motor - Motore	€ 125.00
230V/1Ph/50Hz	32	SL3270	Motor - Motore	€ 200.00
Ø90 (PPF25)	33	35X1150	Pipe - Tubo	€ 9.50
Ø90 (PPN25)	33	SL3154	Pipe - Tubo	€ 9.90
Ø100-Ø50 (PPN25)	34	SL2720	Reduction - Riduzione	€ 9.10
L 90° Ø50 (PPN25)	35	SL2719	Bend - Gomito	€ 3.25
	36	SL3192	Bracket - Staffa	€ 14.70
(PPF25)	37	SL3224	Bottom - Fondo	€ 31.50
(PPN25)	37	SL3368	Bottom - Fondo	€ 32.50

*Ricambio consigliato - Advised spare parts



POS.	CODE
1	35V6381
2	3600310
3	SL3156
4	36D9550
5	36M5090
6	SL3317
7	SA1130
8	SL3300
9	SL3199
10	36D9660
11	33Q6210
12	33Q6040
13	33Q5180
14	36G2040
15	SL3143
16	32D1090
17	37Q7860
18	36C0011
19	SL3197
20	SA1093
21	3600160
22	32W3240
23	SL3231
24	SL3198
25	SL3006
26	SL3191
27	SL3217
28	SL3195
29	SL3159
30	SL3181
31	SL3155
32	SL0089
32	SL3270
33	35X1150
33	SL3154
34	SL2720
35	SL2719
36	SL3192
37	SL3224
37	SL3368

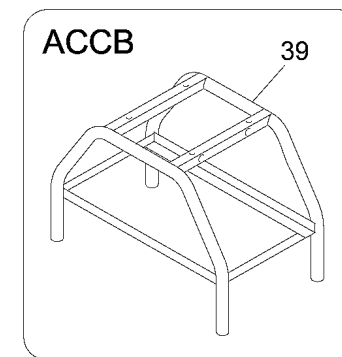
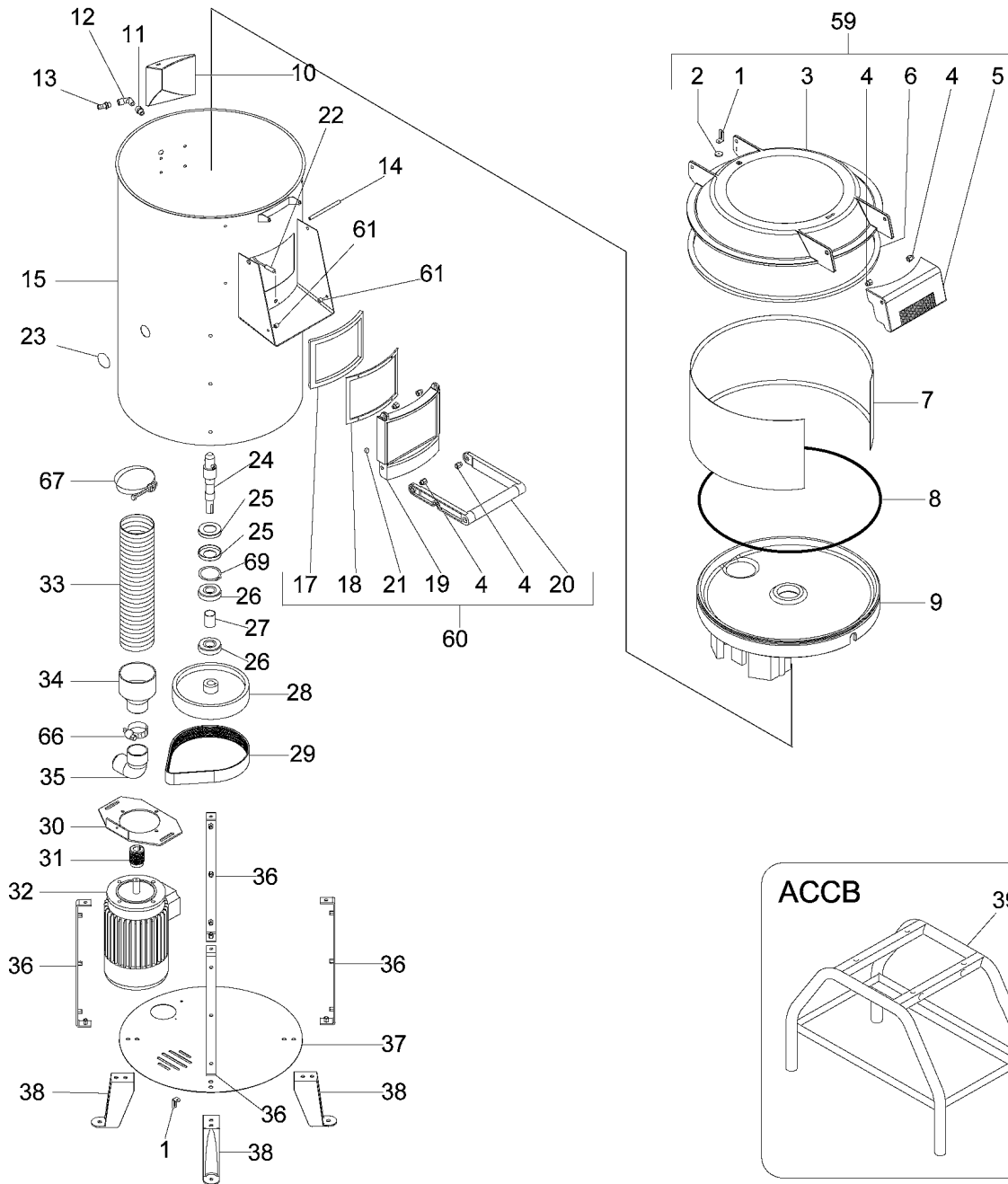
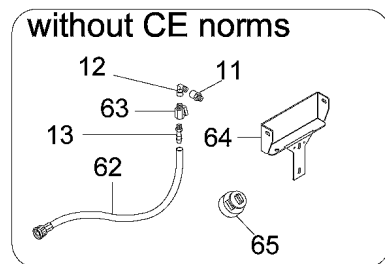
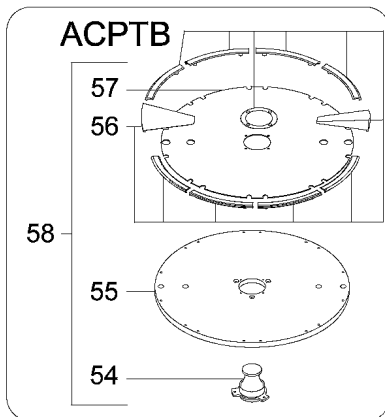
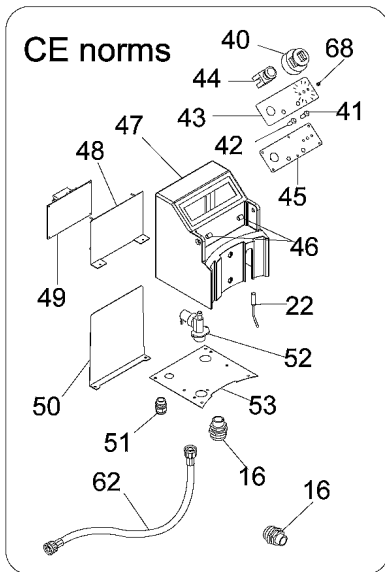


SPARE PARTS TAVOLA RICAMBI

PPN-PPF25

SPEC.	N.	CODE	DENOMINAZIONE - DENOMINATION	PRICE
(PPN25)	38	SL3223	Foot - Piedino	€ 18.50
(PPF25)	39	ACCB	Frame - Telaio	€ 320.00
	* 40	SA1087	Timer - Timer	€ 17.00
230V 2W green	* 41	32W2970	Lamp - Lampada	€ 3.80
230V 2W white	* 42	32W3280	Lamp - Lampada	€ 2.30
01/12/08 f.p.(*)	43	SL3530	Label - Etichetta	
	43	SL3705	Label - Etichetta	
Unstable	* 44	SA1088	Push button - Pulsante	€ 21.00
01/12/08 f.p.(*)	45	30A3620	Panel - Pannello	
	45	SL3693	Panel - Pannello	€ 7.00
	46	36D7310	Bush - Boccia	€ 1.50
	47	36Z0690	Box - Scatola	€ 18.00
	48	SL2785R0	Plate - Piastra	€ 14.00
230/400V-50/60Hz	* 49	SL2921	Electronic card - Scheda elettronica	€ 37.00
110V 60Hz	* 49	SL4338	Electronic card - Scheda elettronica	€ 18.00
	50	35M8840	Covering - Copertura	
PG13,5	51	SL1757	Cable clamp - Pressacavo	€ 1.65
"230V/50-60Hz 3/4" M"	* 52	33D1371	Electro-valve - Elettrovalvola	€ 9.00
	53	SL2939	Plate - Piastra	
01/11/07 f.p.(*)	54	36M5250	Knob - Pomello	
	54	SL3267	Knob - Pomello	€ 20.00
	55	SL3149R0	Disk - Disco	€ 40.00
Plastic (PTB)	* 56	SA3650	Disk set - Kit disco	€ 24.00
	57	SL3151	Emery cloth - Tela abrasiva	€ 31.50
Assembly	58	ACPTB	Potato disk - Disco patate	€ 275.00
Assembly	59	SA3660	Cover - Coperchio	€ 68.00
Assembly	60	SA1074	Door - Sportello	€ 79.00
dal 01/06/17	61	SL1594	Pivot - Perno	
fino al 31/05/17 f.p.(*)	61	SL2349	Pivot - Perno	€ 1.00
"3/4" F-F "	62	33M0010	Pipe - Tubo	€ 4.50
"1/4" M-F"	63	SL1622	Cock - Rubinetto	€ 12.00
	64	SL2904	Bracket - Staffa	
Assembly	65	SA1092	Timer - Timer	€ 26.00
ø50÷ø70 (PPN25)	66	SL2745	Clip - Fascetta	€ 4.00
ø88÷ø96	67	3140460	Clip - Fascetta	€ 3.50
V-8-S	68	SL0772	V-ring - V-ring	€ 1.00
ø62	69	SL3201	Seeger - Seeger	€ 0.80

*Ricambio consigliato - Advised spare parts



POS.	CODE
38	SL3223
39	ACCB
40	SA1087
41	32W2970
42	32W3280
43	SL3530
44	SA1088
45	30A3620
46	36D7310
47	36Z0690
48	SL2785R0
49	SL2921
49	SL4338
50	35M8840
51	SL1757
52	33D1371
53	SL2939
54	36M5250
54	SL3267
55	SL3149R0
56	SA3650
57	SL3151
58	ACPTB
59	SA3660
60	SA1074
61	SL1594
61	SL2349
62	33M0010
63	SL1622
64	SL2904
65	SA1092
66	SL2745
67	3140460
68	SL0772
69	SL3201